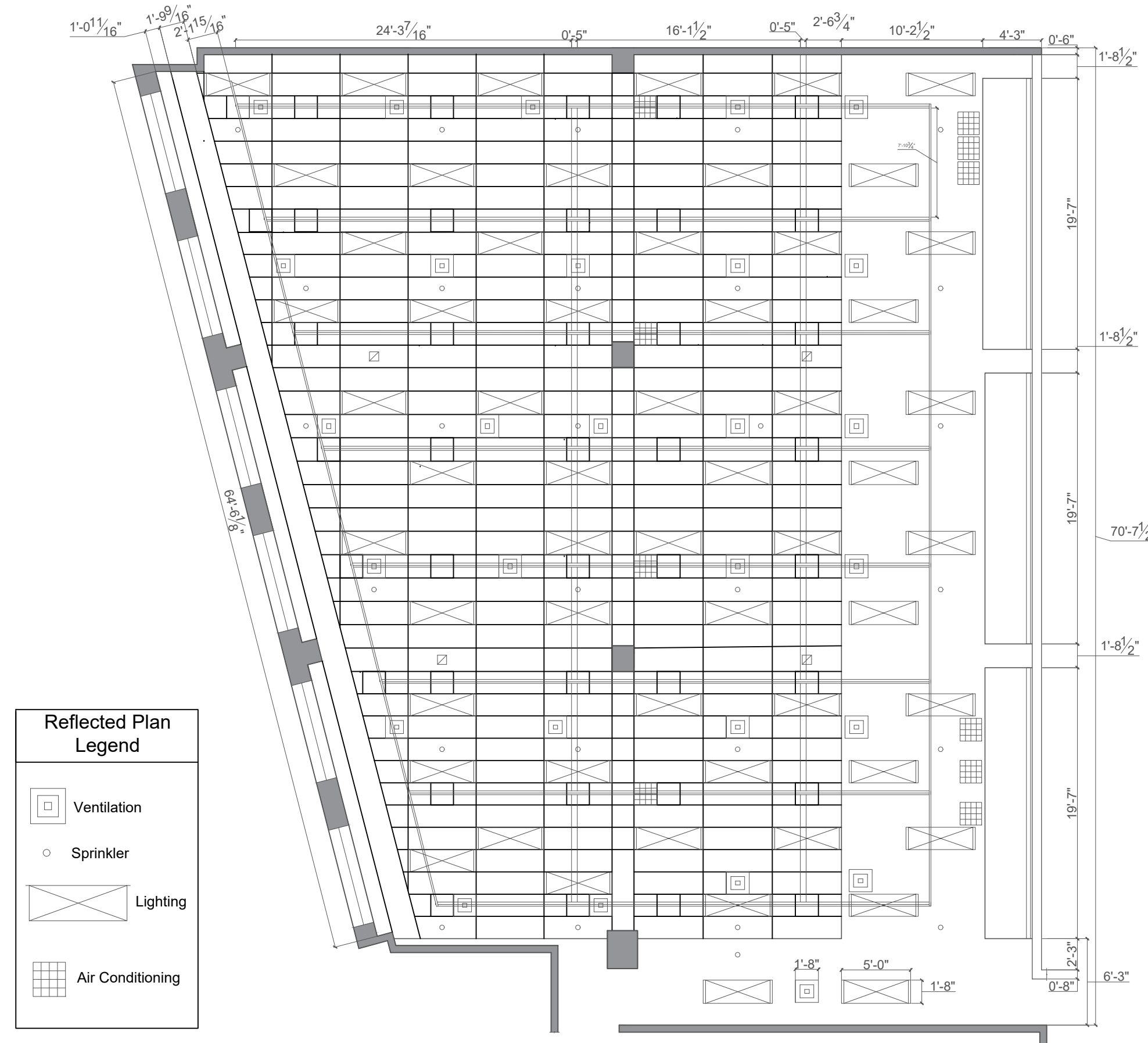
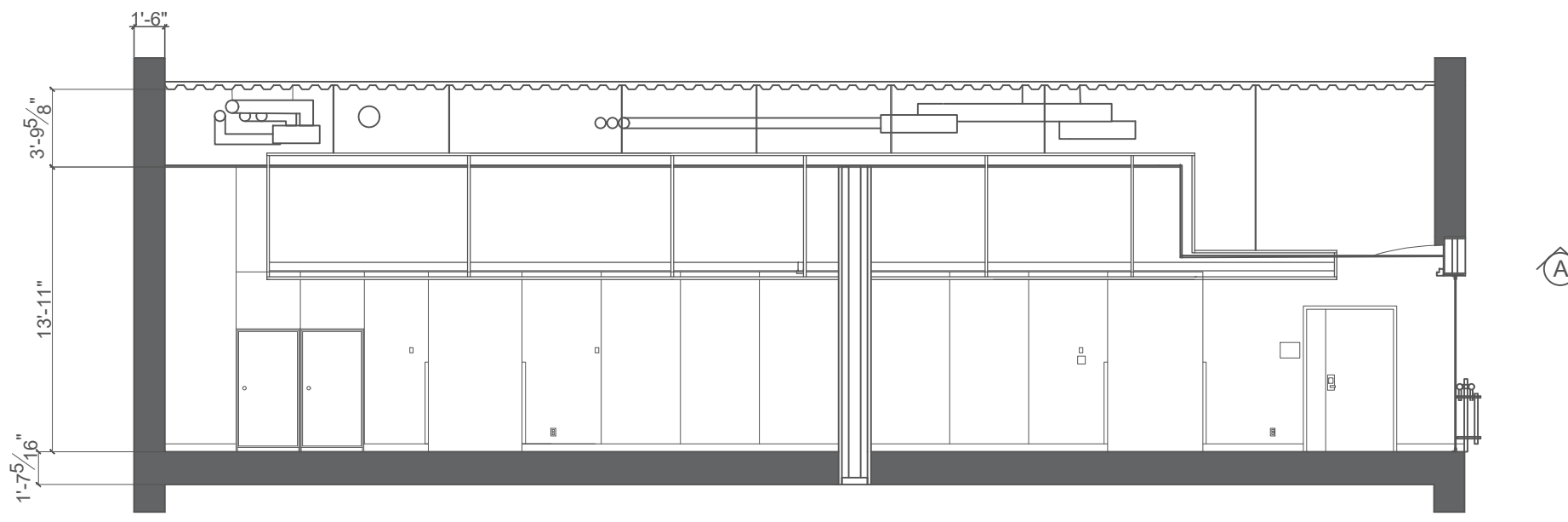


**1 FLOOR PLAN**  
SCALE 1/8" = 1'-0"



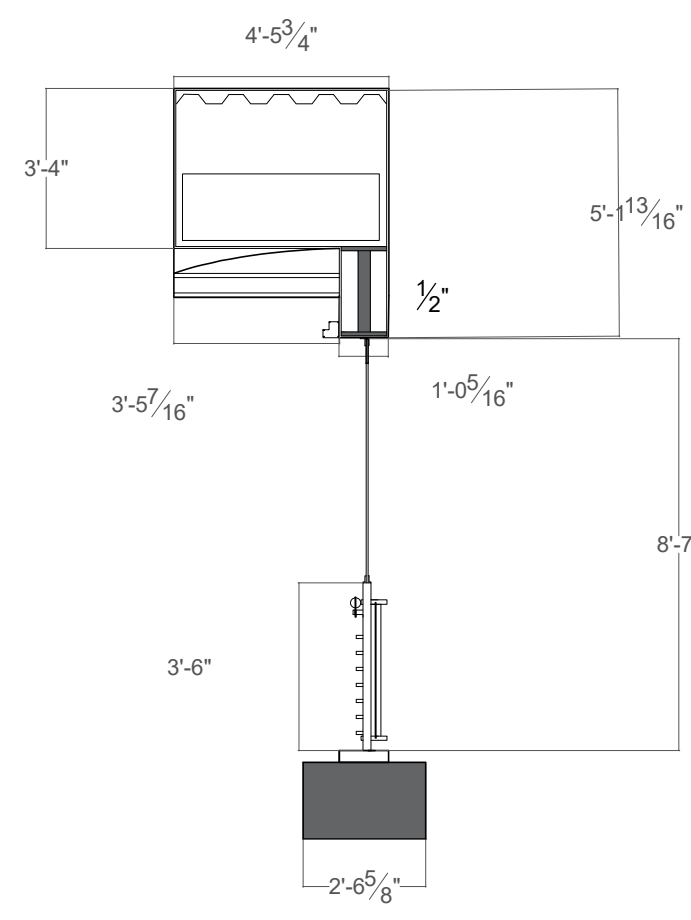
**3 REFLECTED CEILING PLAN**  
SCALE 1/8" = 1'-0"



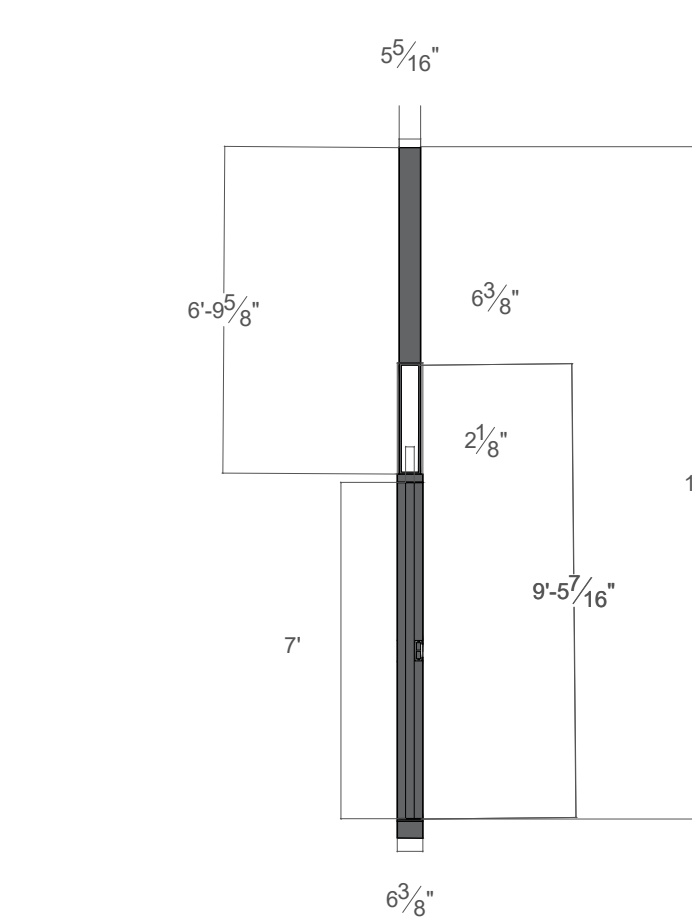
**3 SECTION AA**  
SCALE 1/8" = 1'-0"



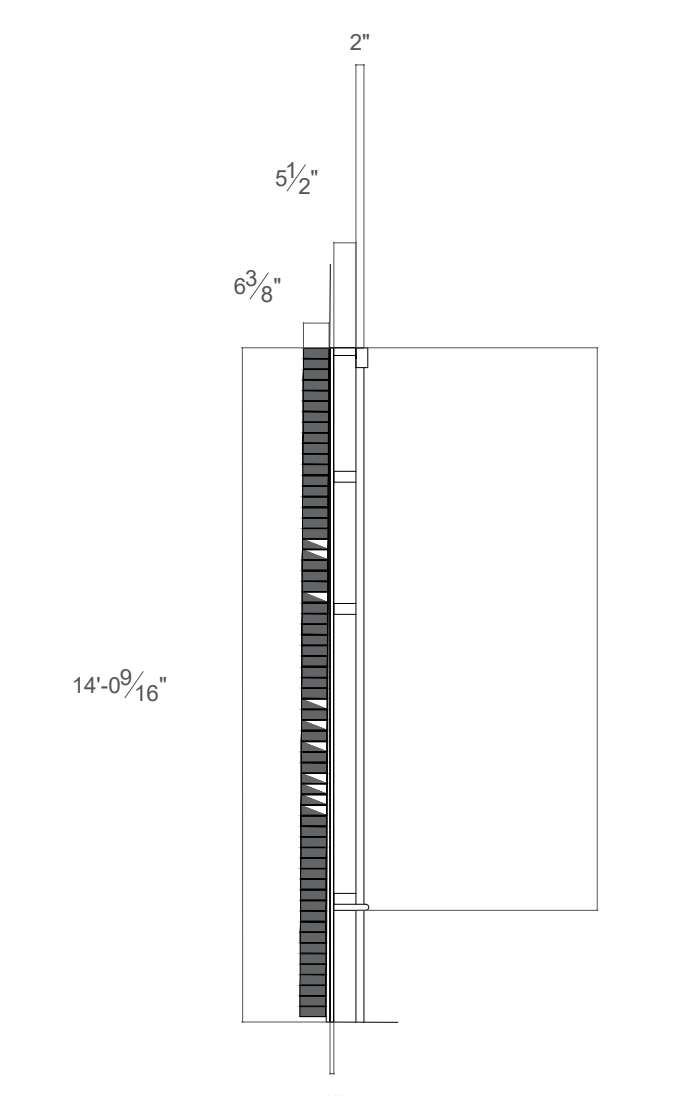
**4 SECTION BB**  
SCALE 1/8" = 1'-0"



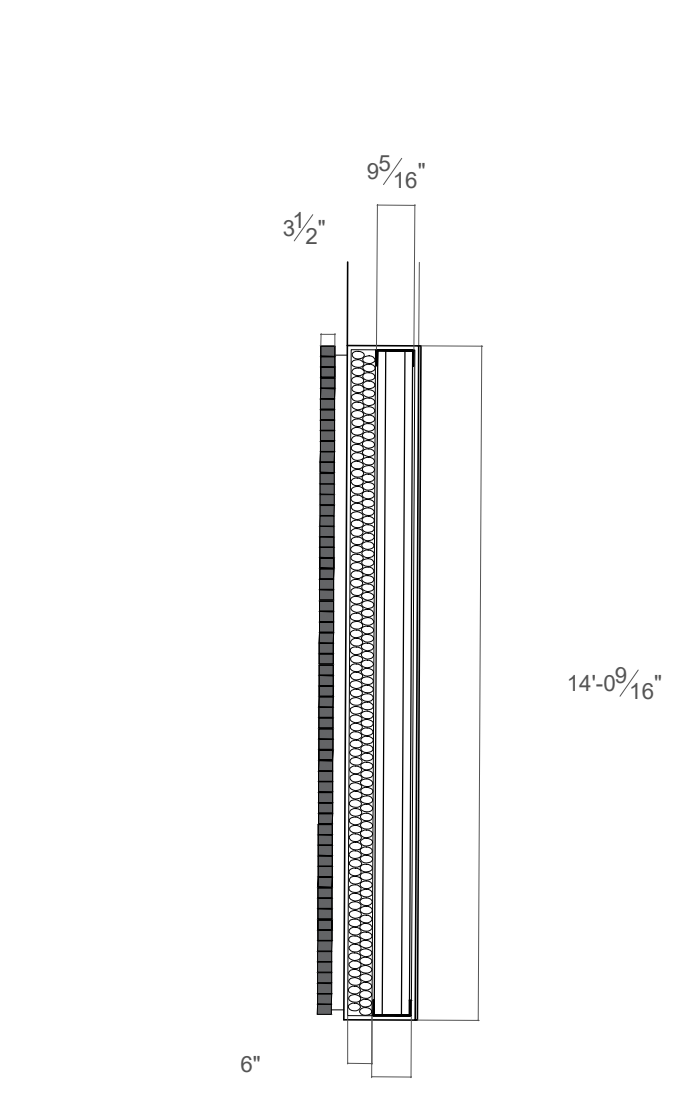
**5 WALL SECTION CC**  
SCALE 1/4" = 1'-0"



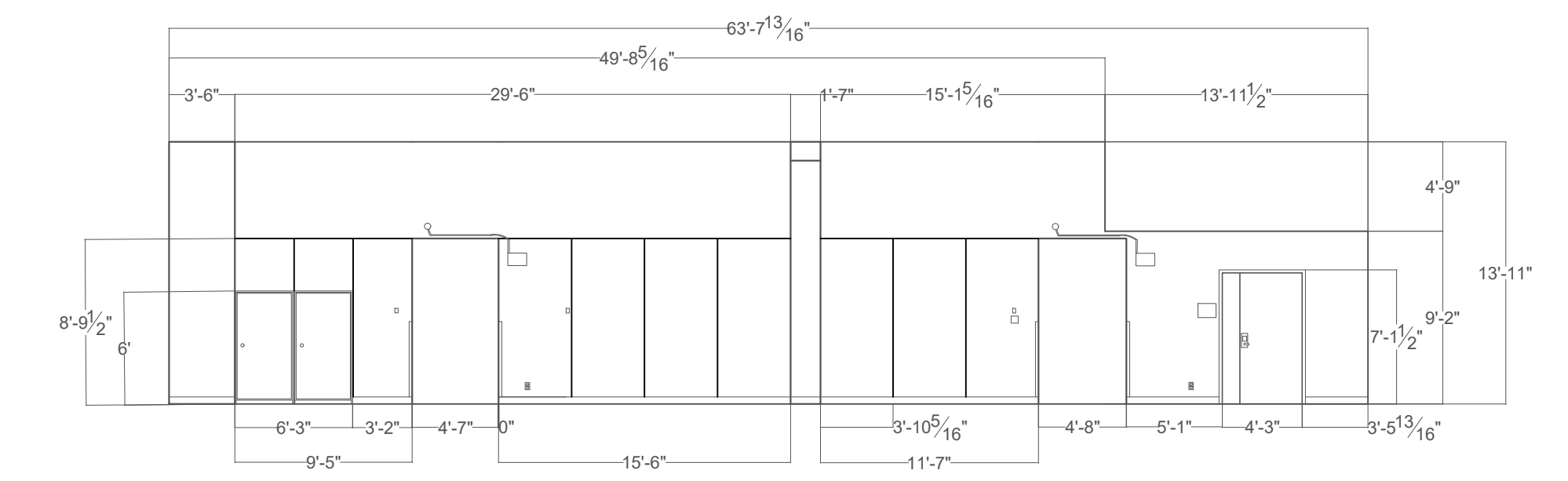
**6 WALL SECTION DD**  
SCALE 1/4" = 1'-0"



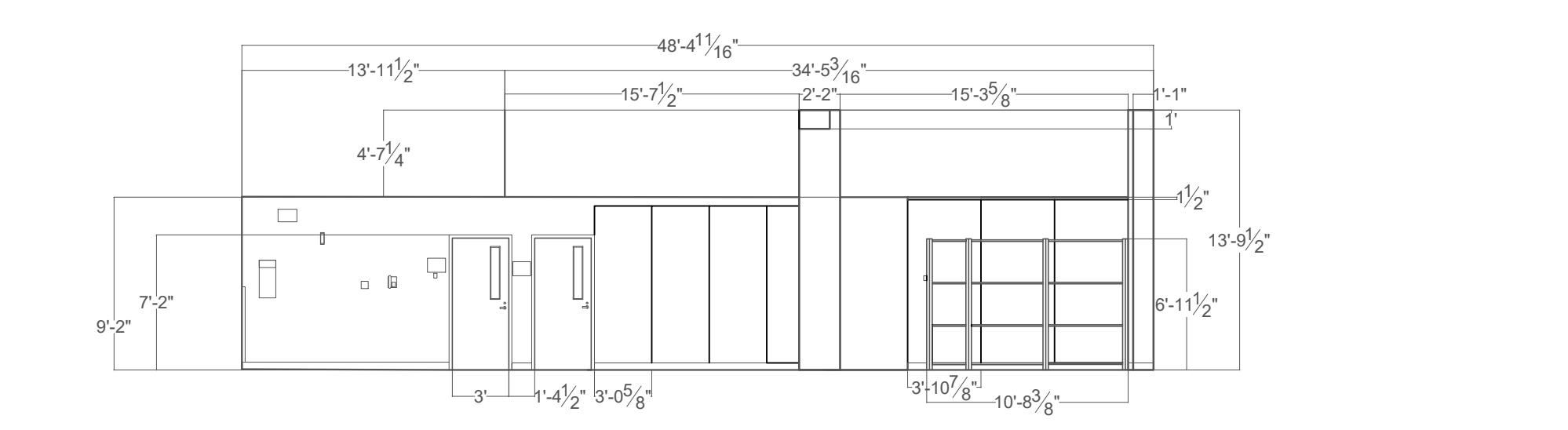
**7 WALL SECTION EE**  
SCALE 1/4" = 1'-0"



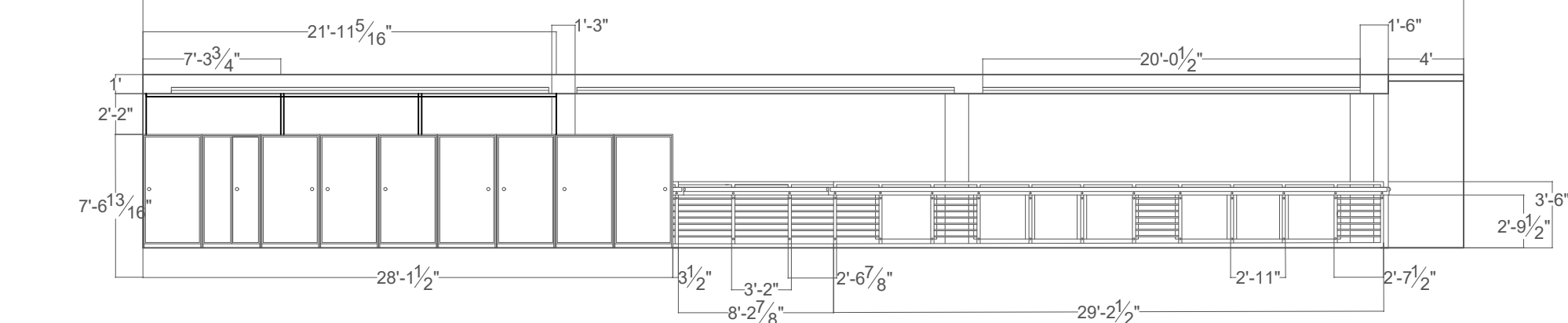
**8 WALL SECTION FF**  
SCALE 1/4" = 1'-0"



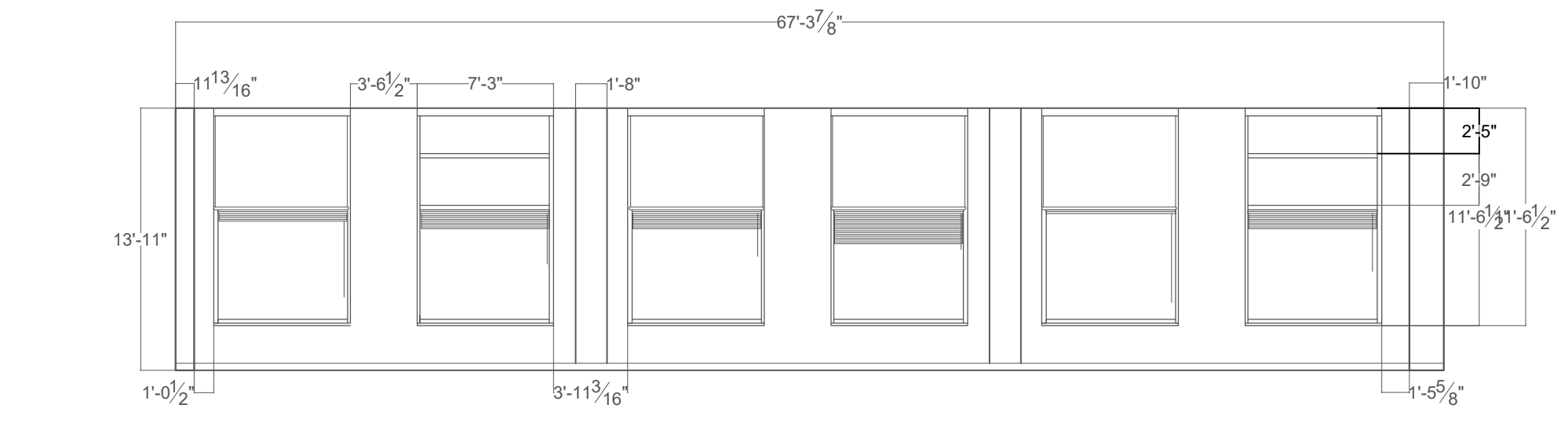
**9 NORTH ELEVATION**  
SCALE 1/8" = 1'-0"



**10 SOUTH ELEVATION**  
SCALE 1/8" = 1'-0"



**11 EAST ELEVATION**  
SCALE 1/8" = 1'-0"



**12 WEST ELEVATION**  
SCALE 1/8" = 1'-0"

<b>PF 4170</b>	
Course: ARST 484   GRAPHICS I	Drawn by:
Assignment: 9A - MEASURED CONTEXTS	CODY BEAUDRY VICTOR CHIN JENNA KEMP SARAH KLYM MARC YAP
Instructors: JASON JOHNSON + MATTHEW PARKER	
Scales: 1/4" = 1'-0" AND 1/8" = 1'-0"	
Sheet: 1	
Date: 2016 / 11 / 20	